

# LOUVERS & DAMPERS



ECCO™ is proud to be a member of:



**SMACNA**  
Sheet Metal and Air  
Conditioning Contractors  
National Association  
[www.smacna.org](http://www.smacna.org)



**HRAI**  
Heating, Refrigeration and  
Air Conditioning  
Institute of Canada  
[www.hrai.ca](http://www.hrai.ca)



**HARDI**  
Heating, Air-conditioning  
& Refrigeration  
Distributors International  
[www.hardinet.org](http://www.hardinet.org)



**ADI**  
Air  
Distribution  
Institute  
[www.steelduct.org](http://www.steelduct.org)



**AD**  
Affiliated Distributors™  
[www.adhq.com](http://www.adhq.com)



**CME**  
Canadian  
Manufacturers &  
Exporters  
[www.cme-mec.ca](http://www.cme-mec.ca)



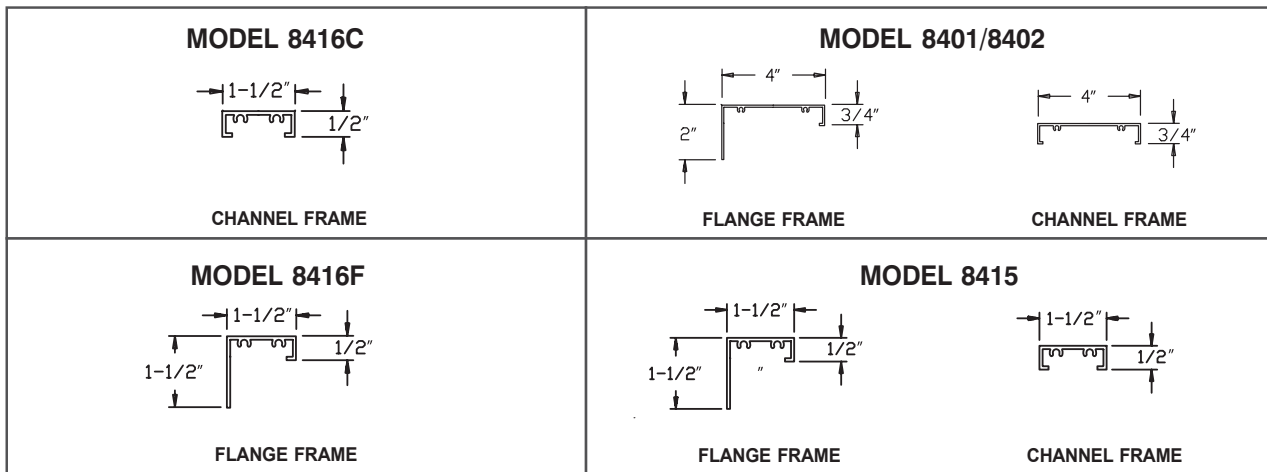
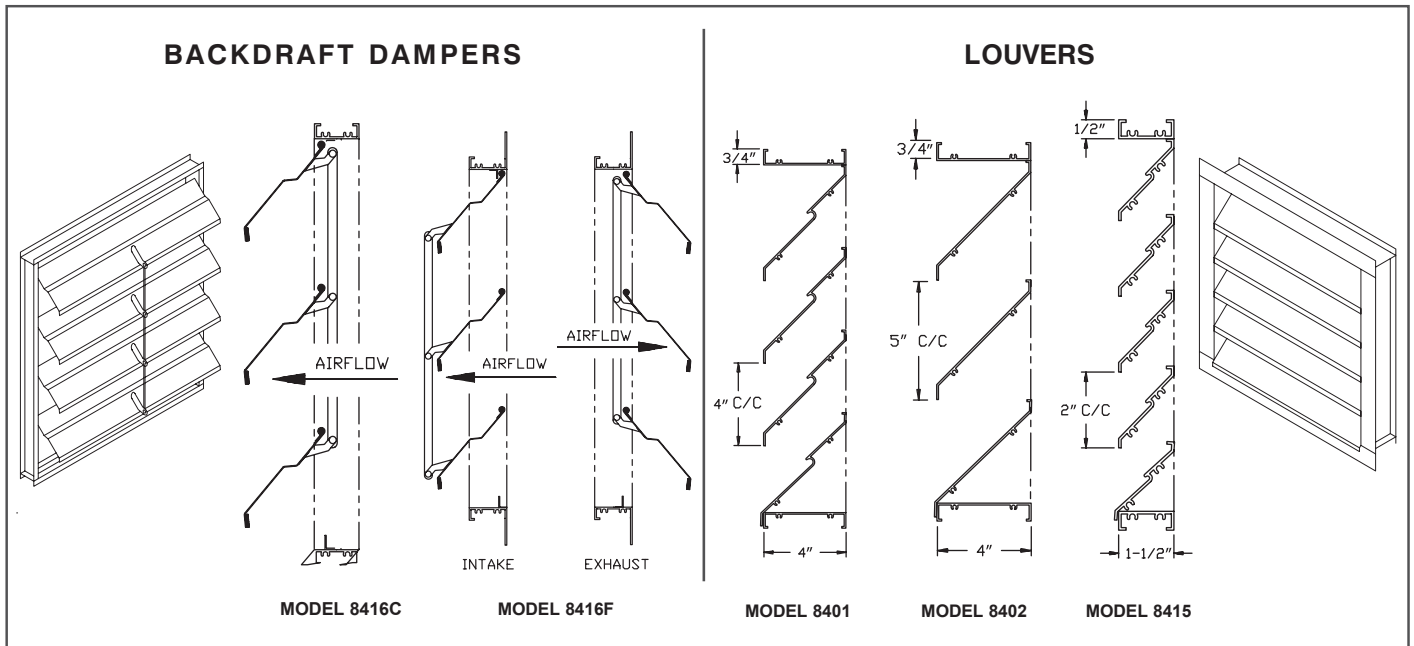
**SPIDA**  
Spiral Duct  
Manufacturers  
Association  
[www.spida.org](http://www.spida.org)



## INDEX

|                                    |      |
|------------------------------------|------|
| BALANCING DAMPERS.....             | A6-4 |
| LOUVERED PENTHOUSES                |      |
| MITRED CORNER.....                 | A6-5 |
| MULLION CORNER .....               | A6-5 |
| LOUVERS AND BACKDRAFT DAMPERS..... | A6-3 |

## LOUVERS AND BACKDRAFT DAMPERS



**SPECIFY FOR ORDERING**

- Flange or Channel Frame
- 4" or 2" Deep
- Blade Type, eg.: 8401 — Weather Blade Intake  
8402 — Straight Blade Exhaust

**ALLOY**

Model 8401/8402 (6063 — T5 Extruded Aluminum .080)  
Model 8415/8416 (6063 — T5 Extruded Aluminum .070)

**BLADES**

Fixed at 45°, Secured with Cadmium Plated Screws (welding optional)

**SCREEN**

16 Gauge 1/2" x 1/2" Galvanized Screen, Fixed to Rear of Louver with Cadmium Plated Screws

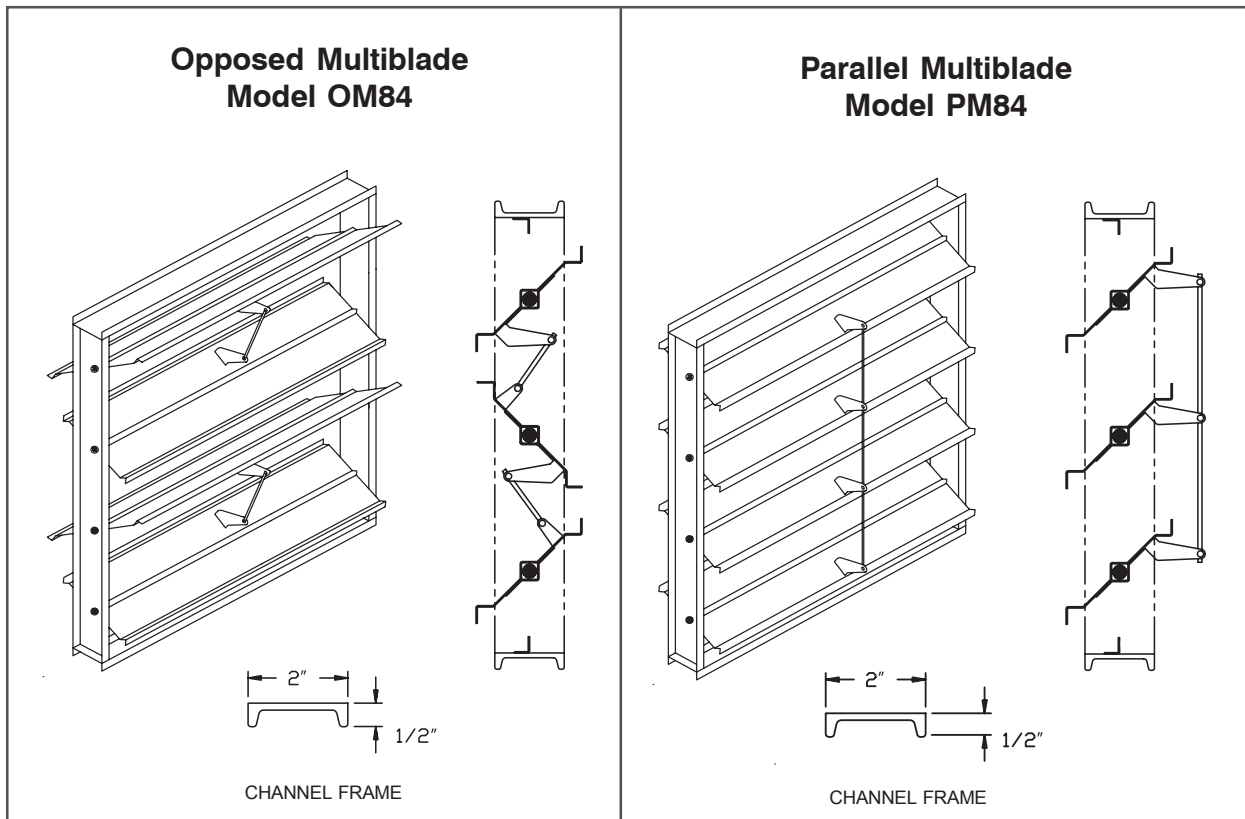
**FINISH**

Standard — Mill Finish

**\*\*\* PRICE ON APPLICATION \*\*\***

— E.&O.E. — Subject to Change Without Notice — May Not Be Available At All Locations —

## BALANCING DAMPERS



|                  |   |
|------------------|---|
| <b>BLADES</b>    | Up to 18" Wide — 20 Gauge<br>Over 18" Wide — 16 Gauge                                   |
| <b>FINISH</b>    | Standard — Galvanized   |
| <b>FRAMES</b>    | 1/2" x 2" x 1/2" Welded Steel Channel   |
| <b>BEARINGS</b>  | Standard — Pressed Oilite Bronze Bushings<br>Optional — Ball Bearings or Nylon Bushings |
| <b>LINKAGE</b>   | Blades Interconnected with 1/4" Rod, Duro Dyne Hardware                                 |
| <b>OPERATION</b> | Standard — Extended Shaft for Control (manual or automatic)                             |
| <b>SIZES</b>     | Blades maximum 10" wide x 48" long<br>Supplied in multiples to suit all openings        |

\* \* \* PRICE ON APPLICATION \* \* \*

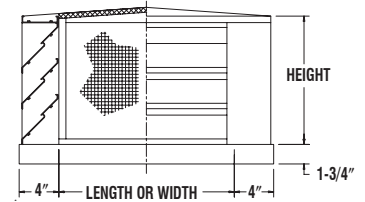
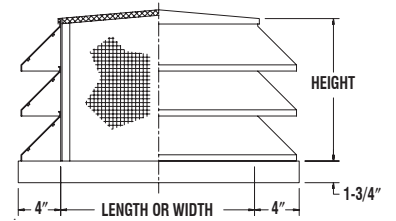
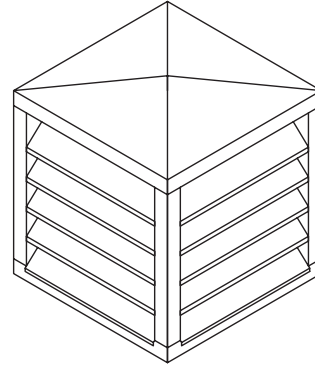
- E.&O.E. - Subject to Change Without Notice - May Not Be Available At All Locations -

## LOUVERED PENTHOUSES

### MITRED CORNER PENTHOUSE

#### General Data

The Mitred Corner Penthouse is available with the three styles of louver blades: 8401, 8402, and 8415. Welded and mitred corners provide an attractive horizontal line. Blades and sills are manufactured from extruded aluminum 6063-T5; minimum cross section .081" (2 mm). The .081" (2 mm) formed aluminum roof is lined with a 1/2" (13 mm) fiberglass insulation and vapour barrier.



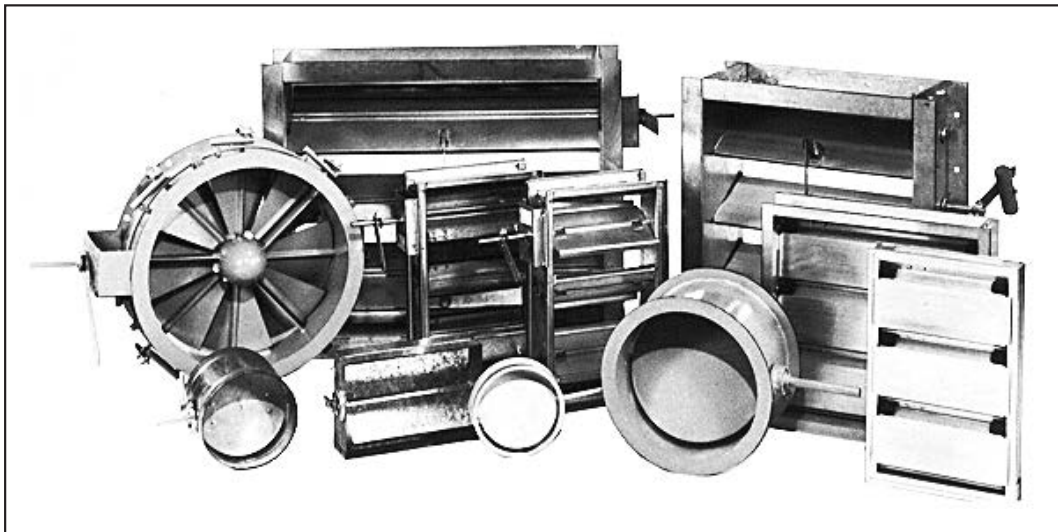
### MULLION CORNER PENTHOUSE

#### General Data

Available in the three styles of louver blades: 8401, 8402, and 8415. Structural frame and mullion corners provide an exceptionally strong structure where heavy snow loads are a critical factor. The .081" (2 mm) formed aluminum roof is lined with a 1/2" (13 mm) fiberglass insulation and vapour barrier.

\*\*\* PRICE ON APPLICATION \*\*\*

Contact your ECCO™ sales representative for specifications and specialty Dampers and Louvers



#### Dampers

- Commercial Dampers
- Industrial Dampers
- Galvanized, Aluminum or Stainless Steel Construction

#### Louvers

- Specialty Louvers
- Sightproof
- Vertical Blade
- Sunscreen
- Acoustical

– E.&O.E. – Subject to Change Without Notice – May Not Be Available At All Locations –



[www.eccomfg.com](http://www.eccomfg.com)

**Langley Distribution**

19860 Fraser Highway  
Langley, British Columbia  
Canada V3A 4C9

Phone: 604-530-4151  
Toll Free: 1-877-955-4805  
Fax: 604-533-9335

**Calgary Distribution**

21 – 11150 38th Street, S.E.  
Calgary, Alberta  
Canada T2C 2Z6

Phone: 403-720-0895  
Toll Free: 1-877-955-4815  
Fax: 403-720-0897

**Kent Distribution**

20001 87th Ave. S, Bldg E  
Kent, Washington  
USA 98031

Phone: 253-872-3721  
Toll Free: 1-800-207-6859  
Fax: 253-872-3724